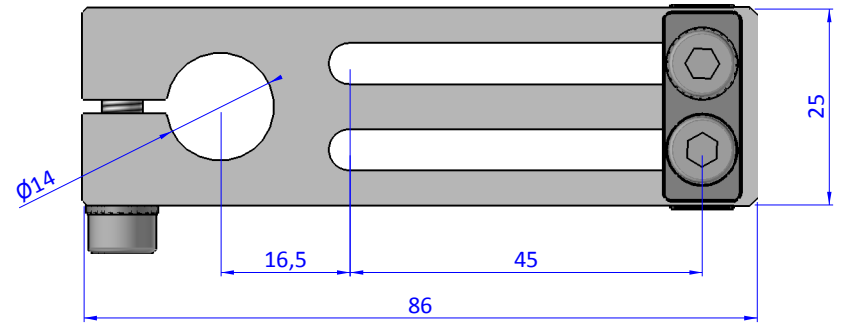
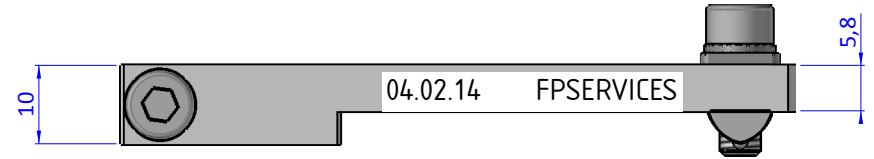
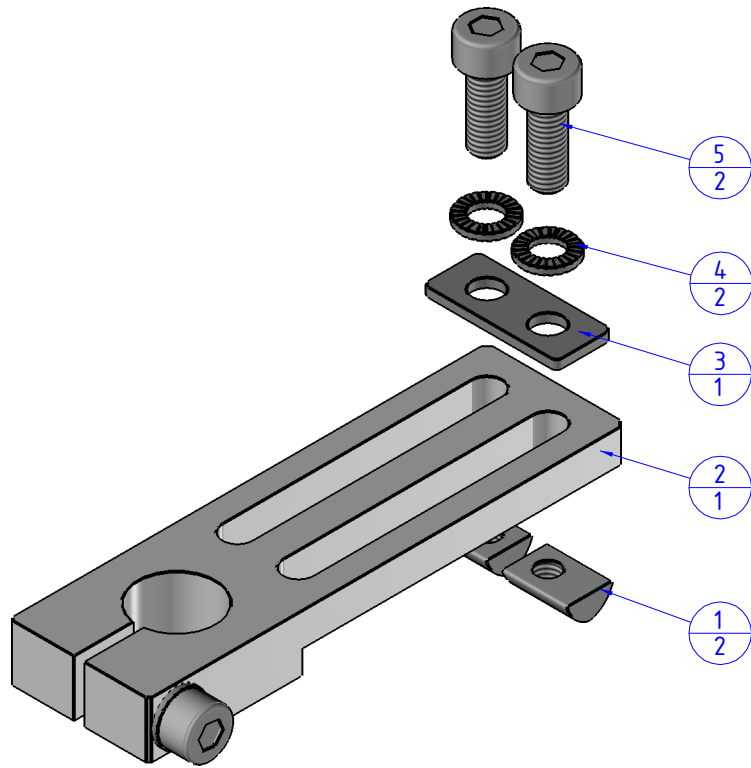



THE PROPERTY OF THE DRAWING IS ESTABLISHED BY LAW. IT IS FORBIDDEN TO PRODUCE OR SHOW IT TO THIRD PARTY, WITHOUT A WRITTEN AGREEMENT.

Object Number	Name	QTY
1	02.05.003	2
2	CA.04.02.14	1
3	R.05.11	1
4	R.5.SCH	2
5	V.TCE5x14	2



Format A3

UNI 936-76

 FPSERVICES AUTOMATION		DESIGNED FROM FPS Automation		REVIEW A
GENERAL TOLERANCE UNI - ISO 2768 CLASSE f		DESCRIPTION CA.04.02.14.5	DATE 24/07/2019	WEIGHT 0,049kg
			CODE CA.04.02.14.5	